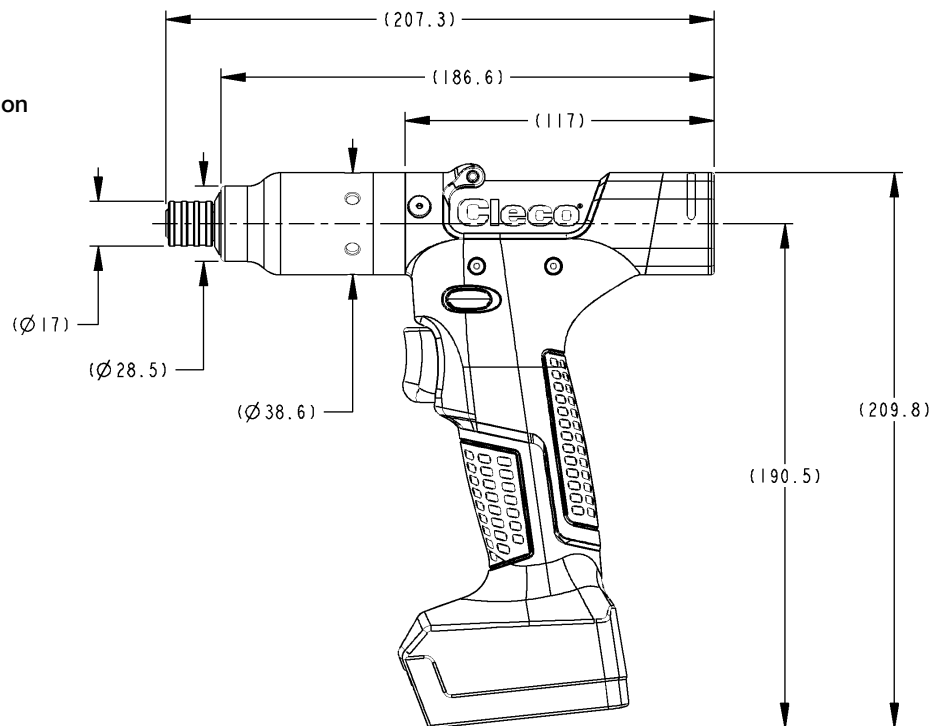


Designed to enable the Smart Factory of Tomorrow, Cleco introduces the most advanced cordless nutrunner - CellTek.™

FEATURES

- **On-Tool Storage** - Back-up on-tool data collection in the event of disrupted connection
- **Cost Savings** - Connect up to 16 tools to 1 controller
- **Flexible** - Easily connects over Wifi (2.4 & 5.0 GHz) or Bluetooth 4.0
- **Multi-Color LED** - Work light for secondary “ok/not ok” operator feedback while also illuminating your workpiece
- **Compatibility** - Forward and backward compatibility with Cleco’s entire Global cordless Controller platforms
- **Stay Alive Function** - Prevents reboot during battery change, gaining time and efficiency
- **Enhanced WiFi Range** - Up to 300 feet for a broad connection within your production facility
- **Decreased Takt Times** - Patented motor technology allows increased speeds over other battery platforms



SPECIFICATIONS

TORQUE RANGE (Nm)

Min / Max: 1.1 - 4.9

TORQUE RANGE (ft·lb)

Min / Max: 0.8 - 3.6

SPEED

r/min: 3525

WEIGHT & DIMENSIONS

Weight w/o Battery	0.90 kg / 2.0 lb
Length	191 mm / 7.52 in
Height	210 mm / 8.27 in
Side to Center	19.3 mm / 0.76 in
Output	1/4" Quick Change
Country of Origin:	Assembled in USA



Apex Tool Group, LLC

Phone: +1 (800) 845-5629

Phone: +1 (919) 387-0099

Phone: +49 (0)7363 81-0

www.ClecoTools.com / www.ClecoTools.de