

Up To 16 LiveWire™ Tools - 1 Line Controller



Contact Regional Application Center for requirements greater than 10

WLAN Technical Data/Options:

Features	2.4 & 5 GHz Tools with LiveWire Memory Chip 17B... and 47B... Series
Standard	IEEE 802.11a/b/g/n
Security	WEP <ul style="list-style-type: none"> • 64/128 bit encryption WPA/WPA2/802.1x 128 bit TKIP/CCMP encryption <ul style="list-style-type: none"> • Pre-shared key mode (PSK) LEAP, PEAP • 802.1x EAP authentication (LEAP, PEAP, TLS, TTLS, GTC, MD5, OTP, PAP, CHAP, MSCHAP, SCHAPv2, TTLS MSCHAPv2) on request
Range	Typically up to 164' (50 m)
Channels	1 – 13 (2.401 – 2.483 GHz) 36 – 165 (5.17 – 5.825 GHz)
Transmission rate (power):	15 dBm @ 5 GHz 20 dBm @ 2.4 GHz (b)
Sensitivity	-94 dBm (@ 1 Mbps) -80 dBm (@ 5 GHz)
Modulation	DSSS/OFDM

Save Up to 50% Over Traditional Systems

Mobility is a major advantage with wireless communications. Cleco® LiveWire marries the freedom and flexibility of cordless tools with real-time wireless error proofing. Utilizing a 2.4 GHz/5 GHz WLAN (Wireless Local Area Network) interface in conjunction with the highest security encryption and authentication levels, plus a 512 cycle tool memory buffer, LiveWire delivers the industry standard in wireless connectivity and performance for your safety and production critical data transmissions.

LiveWire 2 Features & Benefits

LiveWire offers precision torque, angle and speed control features for safety critical fastening in an ergonomic, wireless design. With up to 1,700 rundowns per battery charge or continuous power, your safety critical applications are assured to never run out of power. LiveWire has been designed and tested to provide wireless connectivity across the harshest of machine-to-machine environments.

LiveWire 2 offers the same precision torque, angle, and speed control features for safety critical fastening as LiveWire but in a lightweight composite housing.

LED Headlight

3 user programmable headlight settings

Operator Display

- LCD Display with real-time information
- LED Status Indicators
- Two configurable buttons

Performance

- Optimized 5 GHz performance
- Dual-Antenna system
- Uniband 3 support

Electronic Intelligence

- On-board power management
- Integrated servo with I/O signal handling
- Auto-sensing power
- 512 cycle memory buffer

LMC

The interchangeable LiveWire memory chip stores tool specific WLAN information (MAC address, IP address, SSID, etc...) that allows for easy spare tool changeover with minimal downtime



Cleco Cordless LiveWire 2 Tools

5.5 – 65 Nm

- 3/4 lbs (360 g) lighter
- Up to 65 Nm capacity
- Wi-Fi communication
- Platform versions
- Available in Angle and Pistol models

LiveWire Cordless Transducer Control

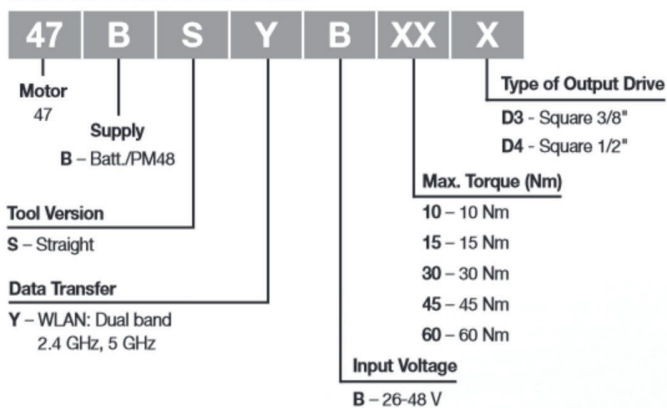
Inline Series

Torque range	Bolt size
3 - 60 Nm	M6 - M10
2.2 - 44.2 ft-lb	1/4" - 7/16"

- **Accurate** - Designed for safety critical applications with a CM/CMK of 2.0 at +/- 7% accuracy
- **Economical** - Save money, time and space by pairing up to 16 tools to just one Mpro Controller
- **Ergonomic** - Reduce operator fatigue with lighter, ergonomic tools
- **Reliable** - Increase uptime with 500k cycles between maintenance periods
- **Interchangeable** - Decrease downtime by swapping tools quickly on the assembly line with the LiveWire memory chip



Inline nutrunner nomenclature



Inline Model Number	Torque Range		Free Speed (RPM)			Weight-Less Battery		Output Drive Size	Length with 26 V Battery	
	ft-lb	Nm	26 V	44 V	Vmax	lbs.	kg		in.	mm
47BSYB10D3	2.2 - 8.1	3 - 11	750	1375	1375	3.9	1.8	3/8" SQ	20.3	516
47BSYB15D3	3.6 - 11.8	5 - 16	570	1050	1050	3.9	1.8	3/8" SQ	20.5	522
47BSYB30D3	7.3 - 23.6	10 - 32	275	485	485	3.9	1.88	3/8" SQ	20.7	526
47BSYB45D3	11.0 - 33.1	15 - 45	205	355	355	5.9	2.7	3/8" SQ	23.2	590
47BSYB60D4	15.4 - 44.2	21 - 60	145	250	250	6.1	2.8	1/2" SQ	23.3	594

General: All tools must be used with an approved Cleco/DGD tightening controller or suitable PC software.

Battery weights: 26 V Li-Ion 1.1 lbs. (0.50 kg), 44 V Li-Ion 1.9 lbs. (0.85 kg).
The 44 V battery is 19 mm/.750" shorter than the 26 V battery.

Extra Equipment: Scanner, sockets, batteries, and chargers must be ordered separately.